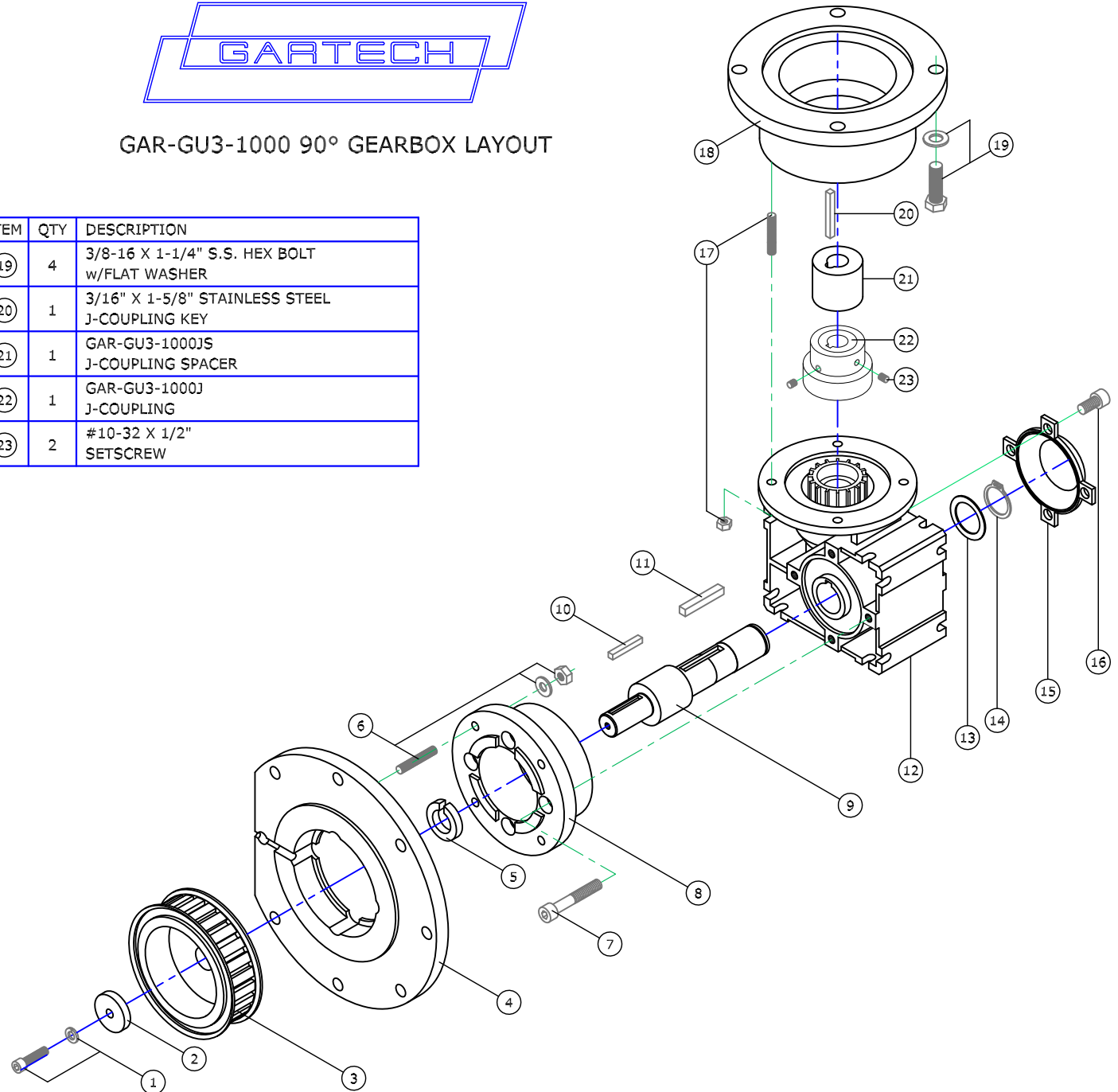




### GAR-GU3-1000 90° GEARBOX LAYOUT

ITEM	QTY	DESCRIPTION
①	1	1/4-20 X 1" SOCKET HEAD CAP SCREW w/ Ø1/4" LOCK WASHER
②	1	GAR-GU3-1000E END CAP
③	1	GAR-GU2-1009AC AC DRIVE PULLEY
④	1	VARIES 90° REDUCER MOUNT
⑤	1	GAR-GU2-1009AC-S AC DRIVE PULLEY SPACER
⑥	4	1/4-20 X 1-1/2" S.S. SETSCREW w/FLAT WASHER & HEX NUT
⑦	4	M8 X 1.25 SOCKET HEAD CAP SCREW (STAINLESS STEEL PREFERRED)
⑧	1	GAR-GU3-1000C N56C U-MOUNT COUPLING
⑨	1	GAR-GU3-1000O OUTPUT SHAFT
⑩	1	3/16" X 1-1/4" STAINLESS STEEL DRIVE PULLEY KEY
⑪	1	1/4" X 1-5/8" STAINLESS STEEL GEARBOX DRIVE KEY
⑫	1	GAR-GU3-1000G NORD FLEXBLOC SK 1S140 60492050
⑬	1	GAR-GU3-1000S REAR SPACER
⑭	1	91590A133 Ø1" EXTERNAL SNAP RING
⑮	1	GAR-GU3-1000RC REAR COVER
⑯	4	M8 X 1.25 - 16mm LG. S.S. SOCKET HEAD CAP SCREW
⑰	4	M6 X 1.0 S.S. SETSCREW 35mm LG. w/STAINLESS STEEL HEX NUT
⑱	1	GAR-GU3-1000A 90° MOTOR ADAPTER

ITEM	QTY	DESCRIPTION
⑲	4	3/8-16 X 1-1/4" S.S. HEX BOLT w/FLAT WASHER
⑳	1	3/16" X 1-5/8" STAINLESS STEEL J-COUPLING KEY
㉑	1	GAR-GU3-1000JS J-COUPLING SPACER
㉒	1	GAR-GU3-1000J J-COUPLING
㉓	2	#10-32 X 1/2" SETSCREW



THIS DRAWING AND ALL INFORMATION THEREON IS THE CONFIDENTIAL PROPERTY OF THE GARTECH MFG. CO., AND SHALL NOT BE COPIED, PUBLICLY DISCLOSED, OR USED FOR REPROCUREMENT WITHOUT PRIOR WRITTEN AUTHORIZATION AND SHALL BE RETURNED UPON DEMAND.