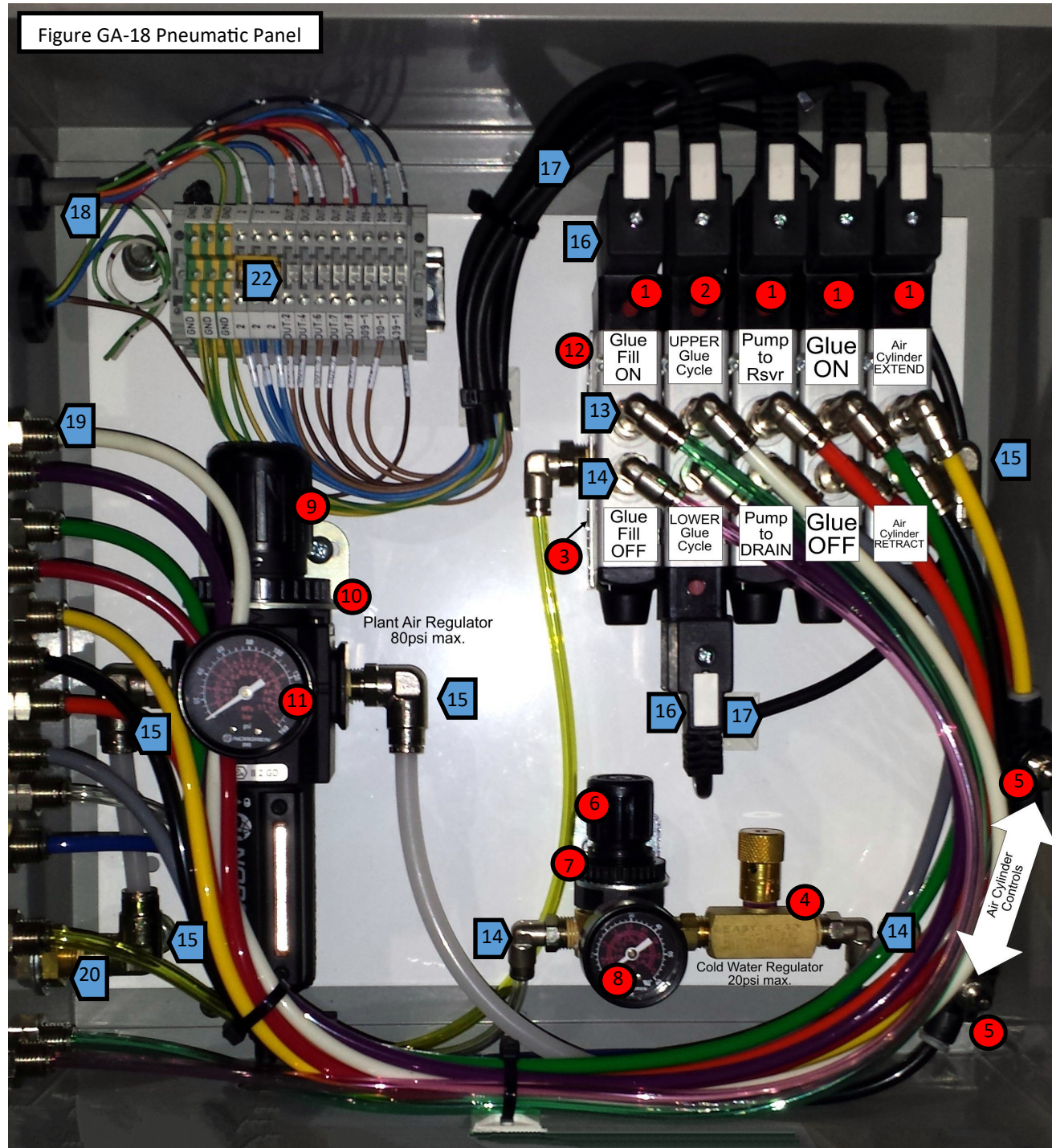
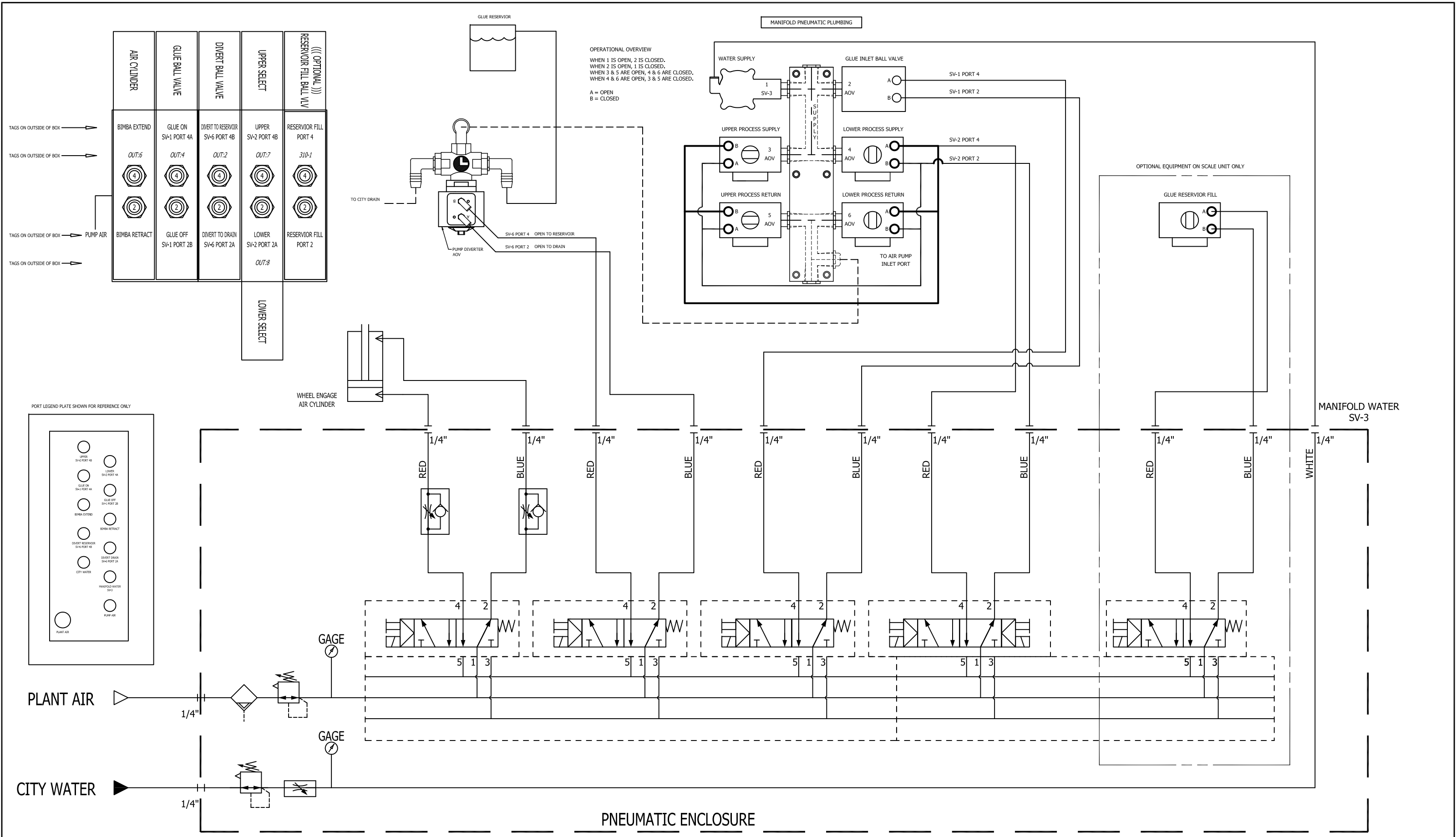


Figure GA-18 Pneumatic Panel



- 1 V61R517A-A3000A SOLENOID VALVE-SINGLE
- 2 V61R511A-A3000A SOLENOID VALVE-DOUBLE
- 3 0100563 V61 BLANKING PLATE (use with no LC)
- 4 EN20B NEEDLE VALVE
- 5 C205P040 1/4" PUSH IN FLOW CONTROL
- 6 R06-221-NNKA WATER REGULATOR
- 7 18-025-003 WATER REGULATOR BRACKET
- 8 18-013-211 WATER REGULATOR GAGE 0-60
- 9 B73G-2AK-QD3-RMG FILTER/REGULATOR
- 10 4461-50 FILTER/REGULATOR
- 11 18-013-209 FILTER/ REGULATOR GAGE 0-160
- 12 2221133 MANIFOLD 3-STATION RH FOR V61  
2221132 MANIFOLD 2-STATION LH FOR V61
- 13 12-454-0428 1/4P-1/4T 90deg SWIVEL x4 (x5 w LC)
- 14 12-447-0428 1/4P-1/4T 90deg SWIVEL x7 (X8 w LC)
- 15 12-447-0638 3/8P-3/8T 90deg SWIVEL x4
- 16 54469-003 NOGREN COIL 120V 50/60 x5 w/o LC
- 17 54934-21 NORGREN 5' MOLDED CABLE x5 w/o LC
- 18 69915K53 1/2" CORD GRIP x2
- 19 120290400 1/4" BULKHEAD FITTINGS W/NUTS x10
- 20 1345 BRASS 1/4" BULK HEAD FITTING W/NUTS x1
- NOT SHOWN
- 21 APH1120 #97-3106A20-27P MALE PIN FITTING
- 21 97-3055-22-8 AMPHENOL PLUG-(1042 101169700)
- 21 AWM2598 CORD
- 22 REFERENCE SCHEMATICS IN MANUAL



DATE	REVISION	BY	CH'D

**JH**  
 JOHN HENRY  
 FOSTER CO.

ST LOUIS, MO.  
 PHONE: 314-427-0600  
 FAX: 314-427-3502

TOLERANCES (UNLESS OTHERWISE SPECIFIED)		CUSTOMER: GARTECH	
TITLE: PNEUMATIC LAYOUT FOR GLUE UNIT			
SCALE:	DRAWN BY: J. ANDERSON	CHECKED BY:	APP'D BY:
DATE: 06/15/06	SHEET 1	OF SHEETS	DRAWING NO. FIG. GA-19