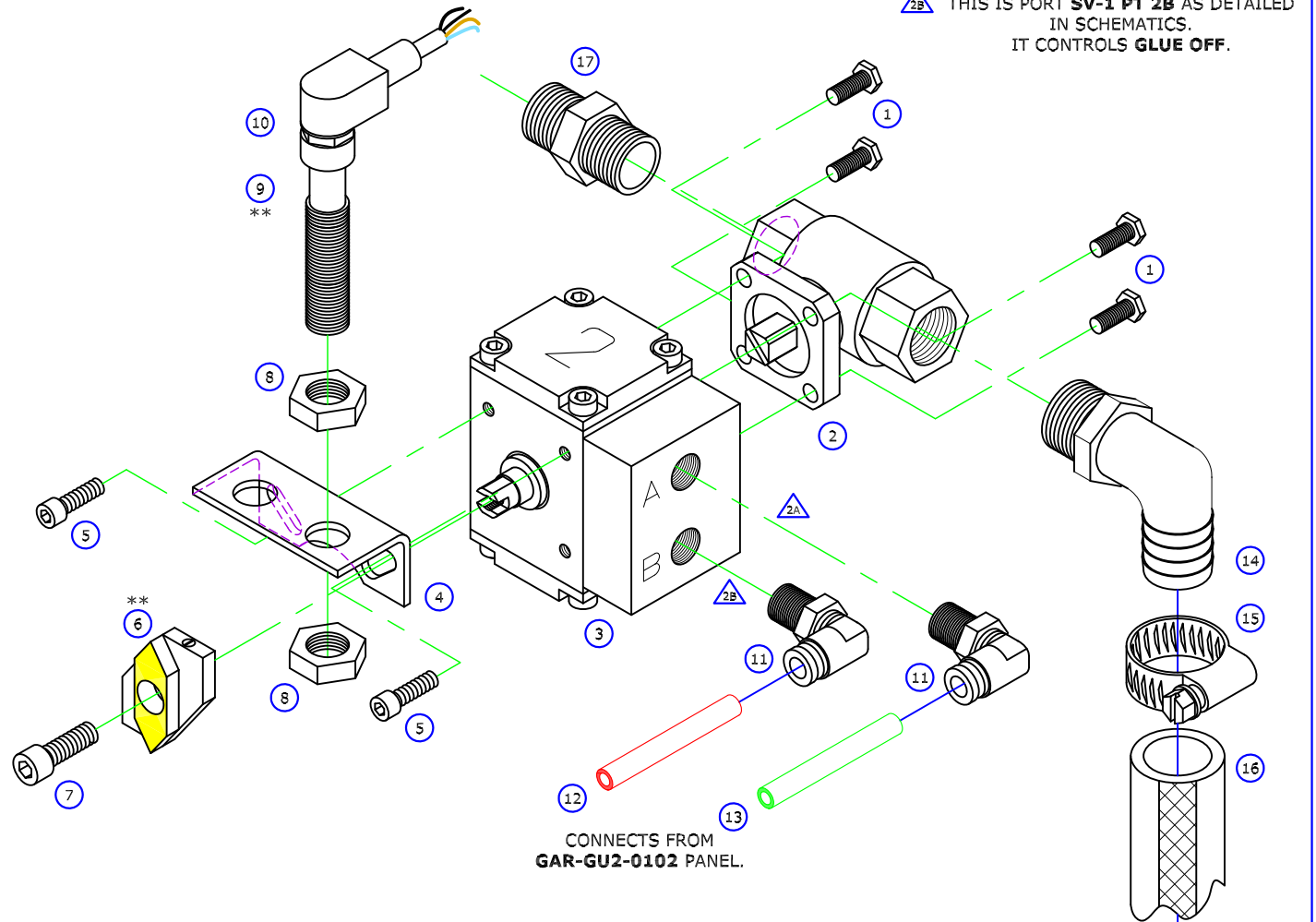


ITEM	QTY	DESCRIPTION
①	4	#10-32 X 1/2" S.S. HEX BOLT
②	1	C101NX 1/2" BALL VALVE
③	1	08D PNEUMATIC ACTUATOR
④	1	KBF85008 KIT (ITEMS 4-7) SENSOR MOUNTING BRACKET
⑤	2	#10-32 X 5/8" S.S. SOCKET-HEAD BOLT
⑥	1	SOLD w/ITEM No. 4-7 PROXIMITY TARGET   INDICATOR
⑦	1	PART No. SOCKET-HEAD BOLT
⑧	2	SOLD w/ITEM No. 9 12mm HEX NUT
⑨	1	VM1-A0-1H INDUCTIVE PROXIMITY SENSOR
⑩	1	CD12M-OB-070-C1 4-WIRE SENSOR CABLE
⑪	2	12447-04-28 1/4"M-1/4"T SWIVELING 90° PUSH-FITTING
⑫	1	1B-151-05 1/4" TUBING--RED (GLUE OFF)
⑬	1	1B-151-06 1/4" TUBING--GREEN (GLUE ON)
⑭	1	EL1234P 1/2"MP X 3/4" 90° BARBED HOSE FITTING
⑮	1	5415K33 #10 HOSE CLAMP
⑯	1	H28512-300R 3/4" REINFORCED HOSE
⑰	1	5485K24 1/2" HEX NIPPLE (mates with GAR-GU-2037 Manifold)



FIG. GA-06B GLUE SUPPLY VALVE w/SENSOR



CONNECTS FROM  
GAR-GU2-0102 PANEL.

CONNECTS FROM  
GAR-GU2-0104 RESERVOIR.

**\*\* NOTE: \*\***  
GAP BETWEEN SENSOR & TARGET  
SHOULD NOT EXCEED 2mm (.078").  
IF GREATER, GLUE & WASH CYCLES  
WILL NOT RESPOND OR CHANGE.

REORDER No.: **C101NX-08D-UA**  
INCLUDES ITEMS No. 1-10 ONLY.

**AOV-2 BALL VALVE**  
**CONTROLS GLUE SUPPLY.**

▲ **2A** THIS IS PORT **SV-1 PT 4A** AS DETAILED  
IN SCHEMATICS.  
IT CONTROLS **GLUE ON**.

▲ **2B** THIS IS PORT **SV-1 PT 2B** AS DETAILED  
IN SCHEMATICS.  
IT CONTROLS **GLUE OFF**.

THIS DRAWING AND ALL INFORMATION  
THEREON IS THE CONFIDENTIAL PROPERTY  
OF THE GARTECH MFG. CO., AND SHALL  
NOT BE COPIED, PUBLICLY DISCLOSED,  
OR USED FOR REPROCUREMENT WITHOUT  
PRIOR WRITTEN AUTHORIZATION AND SHALL  
BE RETURNED UPON DEMAND.